



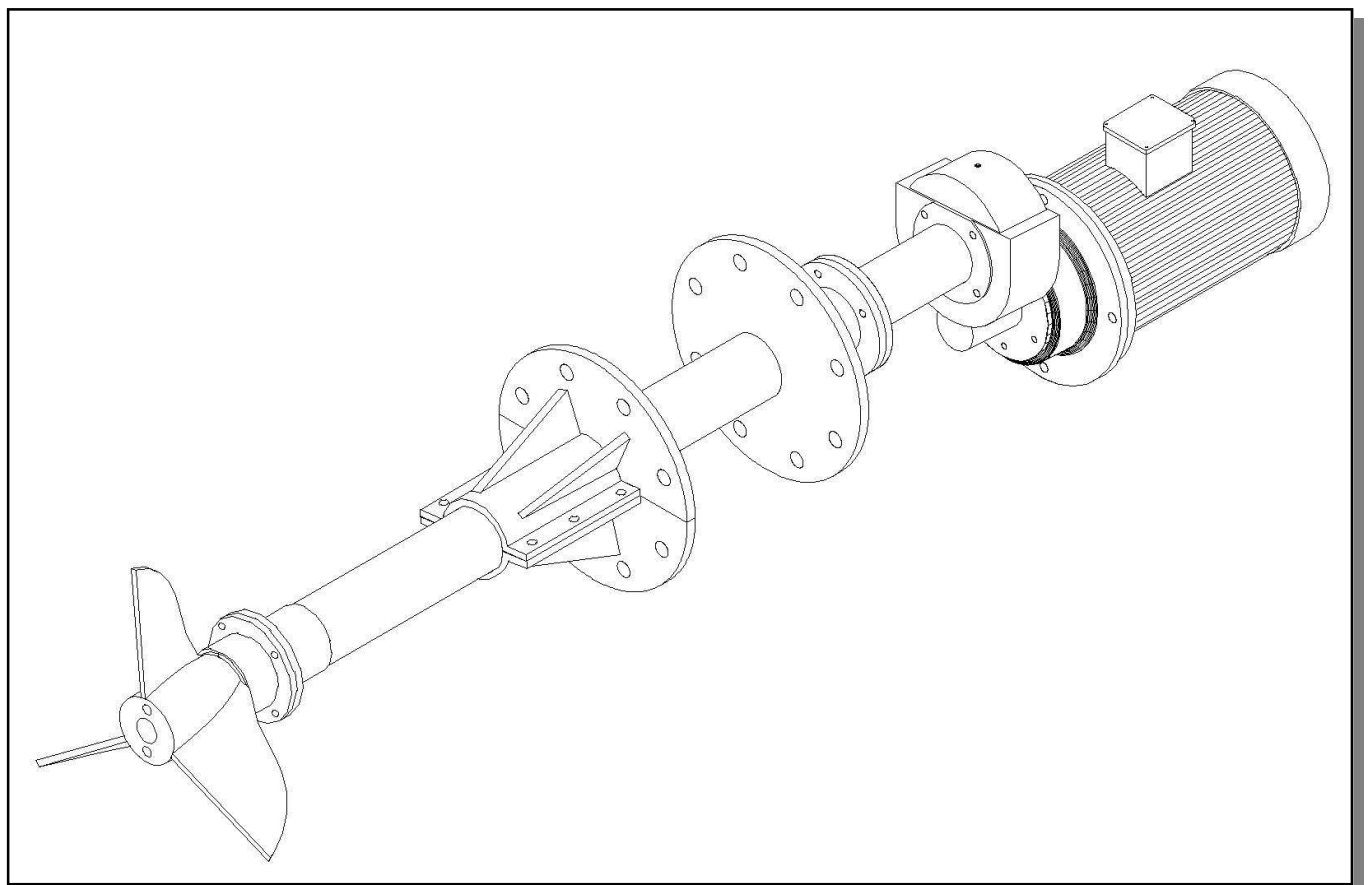
*COSTRUZIONE MACCHINE AGRICOLE di  
DODALDO & C SNC*

Via Sante Salmaso 18/20 46010 BUSCOLDO (MN) ITALY

Tel. +0376/410043 - Fax. +0376/410032

<http://www.doda.com> Email: [doda@doda.com](mailto:doda@doda.com)

# USE AND MAINTENANCE MANUAL ELECTRIC MIXERS SERIES MOVRED MURO



**All data, pictures and performances mentioned in this manual are only approximate.**

**The manufacturer reserves the right to make changes without prior notice.**

DODA thanks you for having bought an item of its production range and invites you to read this manual.

In it you find all necessary information for the correct use of the machine bought. Therefore we recommend you to read it wholly and to follow all instructions contained in it.

Furthermore please keep it in a suitable place, so that it could remain unaltered.

The content of this manual can be changed without notice or additional obligations, in case necessary changes or improvements to the units already delivered could be necessary.

It is forbidden to copy or translate any part of this manual without previous authorization.

## GENERAL INDEX

<b>CHAPTER</b>	<b>DESCRIPTION</b>	<b>PAGE</b>
1.	Introduction	1
2.	Loading and unloading of the machine	2
3.	General instructions	3
4.	Preliminary checks	3-4
5.	Positioning and Transport	4-5
6.	Functioning	5
7.	Operating and Safety Rules	6
8.	Maintenance	7
9.	Stickers	7-8
10.	Performance and Technical Data	8

EC DECLARATION OF CONFORMITY AS  
DEFINED BY DIRECTIVE 89/392/EEC AND  
FOLLOWING MODIFICATIONS

The machines described in the following "USE AND MAINTENANCE" manual are arm mixers for slurry, driven by electric motors.

The propeller is supported by an arm, which allows it to function at a certain distance from the lip of the tank.

The **Movred Muro** is fixed directly to the wall by means of two flanges, the drive system goes through the wall depth.

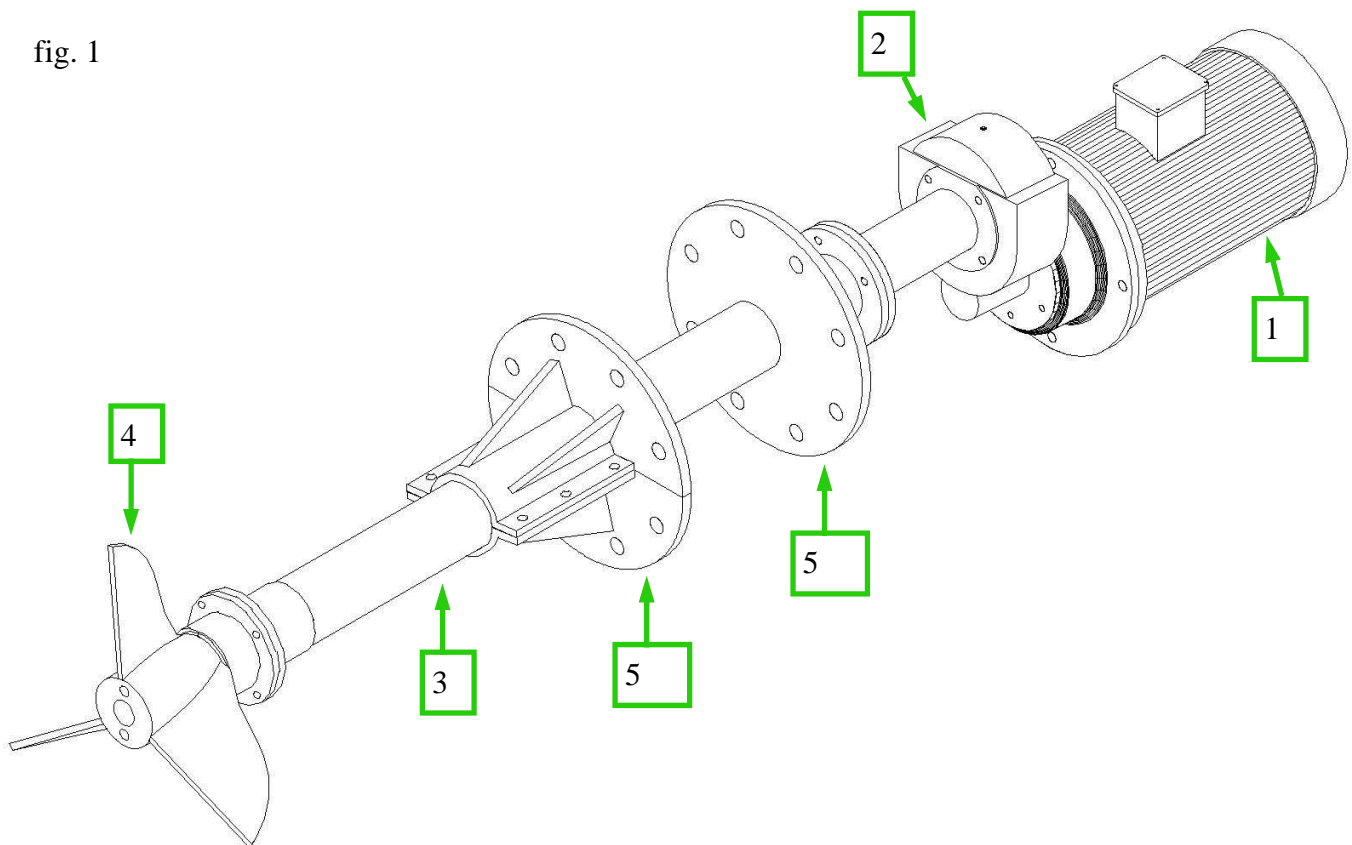
On request, the propeller can allow the suction and the disaggregation of the air in very thin particles, suitable for a better homogenization of the slurry under conditions of aerobiosis.

The galvanised frame, the oil bath drive line and heavy duty materials ensure a machine long life, which simple maintenance.

From the technological point of view, the concept adopted for all other DODA products has been applied to this machine as well:

**" Highest quality for highest reliability and longest service life ."**

fig. 1



- 1) Electric motor
- 2) Gearbox
- 3) Driving pipe
- 4) Mixing propeller
- 5) Fixing flange

## 2. LOADING AND UNLOADING OF THE MACHINE

The loading and unloading of the machine can be carried out:

- by means of a hoisting crane.

**N.B.:** the carrying capacity of the sling has to be seven times as much as the machine total weight (if it is made of a textile fibre).

**WARNING:** in any case the machine can not be lifted by catching on the weakest parts of the structure (delivery pipes, etc...).

**WARNING :** before lifting the structure, be sure that it is well-balanced.

**WARNING:** never move abruptly or bump the stainless steel parts with the forks of the lift truck..



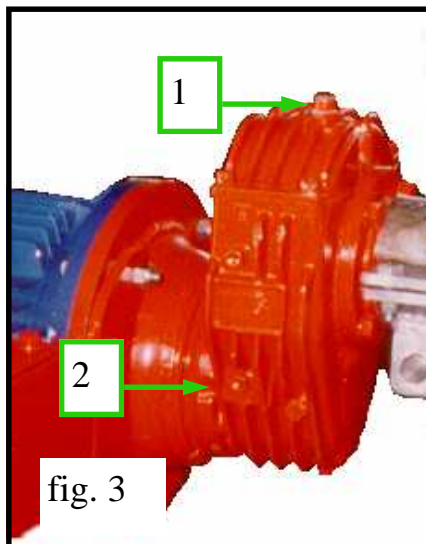
fig. 2

- 1) Check that no component has been damaged during transport, in this case contact immediately our dealer .
- 2) The power supply connection has to be carried out only by skilled workers and according to DODA instructions (by connecting the cables of the electric motor to the power supply or the pump to the tractor by means of the cardan shaft). DODA is in no way responsible for any electric connection. (please follow the instructions on the motor plate and on the sticker showing the rotation direction).
- 3) Before starting the machine, check that the rotating driving parts are suitably protected, as foreseen by their manufacturer.
- 4) If the protection of a rotating component is not provided, the user has to supply the machine with it in conformity with the provisions of the law.
- 5) DODA takes no responsibility for modifications which could alter the characteristics of the machine bought.
- 6) DODA machines must not be installed on structures which are not in conformity with EC safety regulations foreseen by the Community Directives.
- 7) Before operating the machine it is indispensable to read carefully all directions in the “**Use and Maintenance**” manual. Above all, you have to be sure to have completely understood the machine functioning.
- 8) The machine is designed for the treatment of water and slurry, but not of chemical products. Therefore if these substances are treated with our machine, it could be damaged permanently.
- 9) As regards machines with oil-bath drive, the driving pipe and the gearboxes (if present) have to be filled up with oil.
- 10) Prevent rubber parts of the machine from coming into contact with oil, grease or oil derivatives.

### 4. PRELIMINARY CHECKS

Our machines could be supplied without lubricating oil both in the driving pipes and in the gearboxes. Before starting the machine, check it and fill up with lubricating oil:

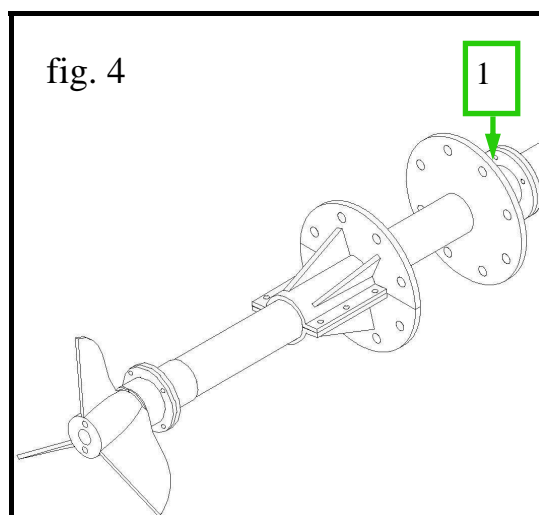
- unscrew inlet and vent caps;
- Fill with SAE90 oil **very slowly up**, according to the oil quantity indicated in oil quantity tables ;



- 1) OIL filling up
- 2) OIL level
- 3) OIL outflow

- wait at least 3 hours before checking the oil level by opening the corresponding oil plug (ONLY FOR DRIVING PIPES);
- close caps again.

- Check periodically the minimum level cap: the oil has never to be under the indicated level.



**N. B. When the unit is not working , during filling and inspection operations, the driving pipe has to be horizontal**

### **OIL QUANTITY LEVELS FOR DRIVING PIPE AND GEARBOX MOVRED MURO**

<b>Drive ssytem ME</b>	<b>~4LT</b>
<b>Oil for gearbox</b>	<b>~1LT</b>

## **5. POSITIONING AND TRANSPORT**

**N.B.:** As far as all machines powered by an electric motor are concerned, DODA is not responsible for any electric connection (please follow carefully the instructions indicated on the motor plate of as well as those on the sticker indicating the rotation direction).

When the mixer is positioned to be mounted, it is important to take into account that:

- its external part has to be accessible for the maintenance ,
- the height of the propeller has to be the suitable one, so that it does not interfere with the bottom of the tank or eventual inner structures.
- Furthermore its positioning has to take into account also the minimum level of the product (In fact for a correct functioning the level of the product to be mixed has to cover at least the propeller).

## 6. FUNCTIONING

**ATTENTION:** read section “GENERAL INSTRUCTIONS” before setting the machine in motion.

After having arranged the machine and checked its stability during normal functioning, you can start using it.

**As concerns all versions provided with an electric motor, after having checked the correct rotation direction, connect them to power supply.**



- 1) Both during working phases and inspection ones, wear always proper clothing (overalls, gloves, helmet, accident prevention shoes, fastened clothes, etc...).
- 2) The machine has always to be used in a well-lit place.
- 3) Since gases released by liquid manure are poisonous, check that:
  - the work area is suitably ventilated;
  - the machine is not used near to flames.
- 4) Never inspect the liquid manure tank alone. If you loose your balance or if you feel faint due to fumes, ask for help immediately.
- 5) If you do not need to work in a tank, cover it.
- 6) The machine has to be used only by accountable adults and in a place not be accessible to children.
- 7) Do not carry out operations or adjustments when the machine is in motion or when it is connected to supply.
- 8) The machine has to be employed only if all necessary protections are correctly positioned, by following the instructions indicated in the previous paragraphs to avoid possible contacts with moving parts. Do not damage or remove such protections.
- 9) The machine can be set in motion only if it has already been filled up with oil (drive pipes and gearbox).
- 10) Before starting work phases, check that the whole assembly is stable (machine and tractor).
- 11) During maintenance verify that the machine is perfectly steady and disconnected from supply.
- 12) The trolley has not to be used for road transport (if foreseen).
- 13) During operation, maintenance or adjustment, the rubber parts of the machine (gaskets, etc...) have not to come into contact with oil, grease or oil derivatives.
- 14) Be sure that the motor rotation is clockwise as indicated by the arrow on the motor (when foreseen).
- 15) As regards machines provided with electrical supply, the connection has to be carried out in a place protected from atmospheric precipitation.

**Before carrying out any maintenance operation stop the machine and disconnect it from supply.**

- 1) Check the oil level of the machine parts requiring lubrication periodically (driving pipes and gearbox ) and, according to employment period, replace it wholly with SAE90 oil (We recommend to do it at least each 1500 operating hours).
- 2) Check wear conditions of the mixing propeller and replace it if necessary.

**As regards all spare parts, apply directly to DODA authorized dealers.**

## 9. STICKERS

The machine is provided with the following stickers:



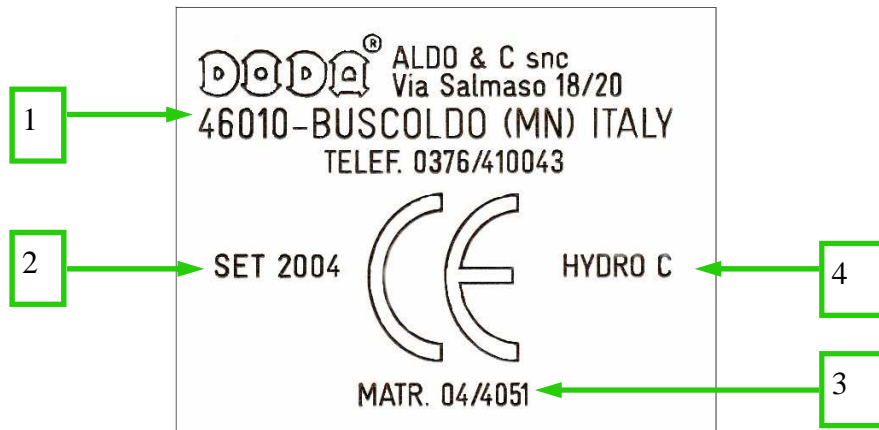
**IMPORTANT:** Fill up the machine with SAE 90 oil till the indicated level before using it.



**FILL UP THE MACHINE WITH OIL TILL THE LEVEL INDICATED AND CHECK IT PERIODICALLY.**



**THIS NOTICE REMINDS YOU TO CHECK THE ROTATION DIRECTION OF THE ELECTRIC MOTOR BEFORE SETTING THE MACHINE IN MOTION.**



Data plate indicating the conformity with EC regulations:

- 1) **NAME OF THE FIRM**
- 2) **MONTH AND YEAR OF PRODUCTION**
- 3) **SERIAL NUMBER**
- 4) **MACHINE MODEL**

## 10. PERFORMANCE AND TECHNICAL DATA

The technical features assuring high reliability and long life of DODA products are several ones:

- Wholly hot-galvanised structure,
- Oil-bath drive,
- Widia-Widia mechanical seal,
- Gearboxes,
- Stainless steel propeller holding shaft,
- Self-cleaning propeller.

# NOTES

# NOTES

# NOTES

**EC DECLARATION OF CONFORMITY AS DEFINED BY DIRECTIVE  
89/392/EEC AND FOLLOWING MODIFICATIONS**

WE

DODA ALDO & C. S.N.C.

Via Contrargine Sud, 3/5  
46010 Canicossa (Mantova)

HEREBY DECLARE UNDER OUR OWN RESPONSIBILITY THAT THE  
FOLLOWING PRODUCTS:

ELECTRIC MIXERS SERIES MOVRED MURO

TO WHICH THIS DECLARATION REFERS, CONFORM TO DIRECTIVE  
89/392/EEC AND FOLLOWING MODIFICATIONS.

BUSCOLDO (MANTOVA)

.....  
(Name, signature, corresponding stamp)



***COSTRUZIONE MACCHINE AGRICOLE***  
***di DODA ALDO & C SNC***

**Via Sante Salmaso 18/20 46010 BUSCOLDO (MN) ITALY**  
**Tel. +39 0376/410043 - Fax. +39 0376/410032**  
**<http://www.doda.com>**  
**Email [doda@doda.com](mailto:doda@doda.com)**

---